

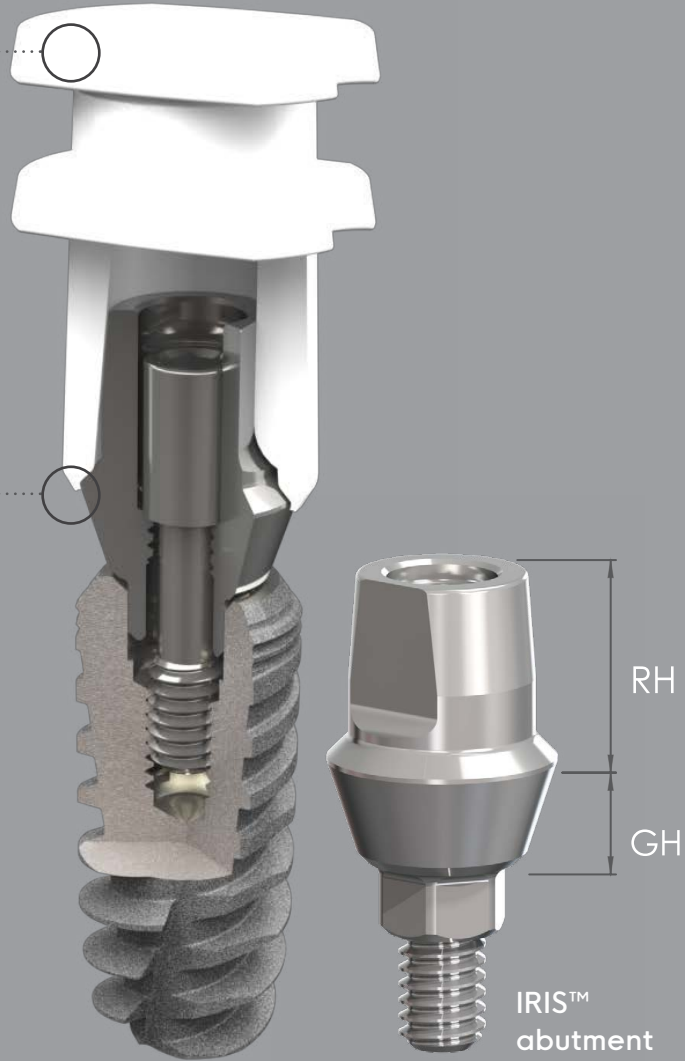
Snap-on Iris™

mini catalog

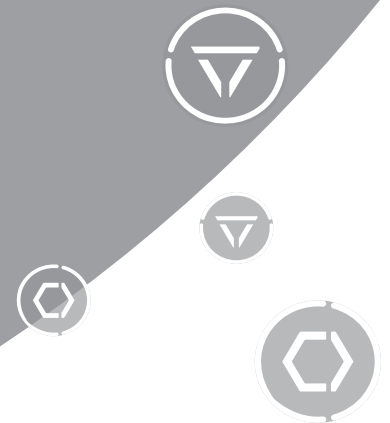



Snap On
Impression Coping

Snap On
engagement



Item availability subject to regional
and regulatory restrictions





Adin's Snap-on impression is an effective and easy option for both implant level and abutment level impression copying.

Plastic pickup cap placed over a precision machined abutment allows for accurate coping utilizing closed tray impression.

Adin's Snap-on range aims to allow flexibility by offering various options to match users preferred method of use through pre packed kits:

- Snap-on impression kit – implant level impression
- IRIS™ Kit – abutment level impression and restoration set

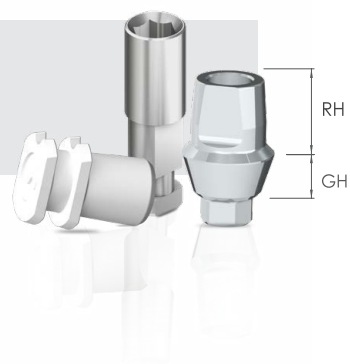
Snap-on impression kit

The Snap-on impression kit is an easy to use implant level closed tray coping option.

The variety in abutment transfer heights allows to take accurate impression in situations when other impression options do not.

Snap-on impression kit includes:

Abutment | Snap-on cap | Implant analog



Snap-on Impression Kit | Touareg S/OS™



		RH	GH
IR4141	IRIS™, RS Snap-on Impression Kit	4	1
IR4142	IRIS™, RS Snap-on Impression Kit	4	2
IR4143	IRIS™, RS Snap-on Impression Kit	4	3
IR4144	IRIS™, RS Snap-on Impression Kit	4	4
IR4262	IRIS™, RS Snap-on Impression	6	2
IR4264	IRIS™, RS Snap-on Impression	6	4

Snap-on Impression Kit | UNP™ CloseFit™



		RH	GH
IR6141	IRIS™ UNP Snap-on Impression Kit	4	1
IR6142	IRIS™ UNP Snap-on Impression Kit	4	2
IR6143	IRIS™ UNP Snap-on Impression Kit	4	3
IR6144	IRIS™ UNP Snap-on Impression Kit	4	4
IR6262	IRIS™ UNP Snap-on Impression	6	2
IR6264	IRIS™ UNP Snap-on Impression	6	4

Snap-on Impression Kit | NP™ CloseFit™



		RH	GH
IR2141	IRIS™ NP Snap-on Impression Kit	4	1
IR2142	IRIS™ NP Snap-on Impression Kit	4	2
IR2143	IRIS™ NP Snap-on Impression Kit	4	3
IR2144	IRIS™ NP Snap-on Impression Kit	4	4
IR2262	IRIS™ NP Snap-on Impression	6	2
IR2264	IRIS™ NP Snap-on Impression	6	4

Snap-on Impression Kit | RP™ CloseFit™



		RH	GH
IR3141	IRIS™ RP Snap-on Impression Kit	4	1
IR3142	IRIS™ RP Snap-on Impression Kit	4	2
IR3143	IRIS™ RP Snap-on Impression Kit	4	3
IR3144	IRIS™ RP Snap-on Impression Kit	4	4
IR3262	IRIS™ RP Snap-on Impression	6	2
IR3264	IRIS™ RP Snap-on Impression	6	4

Snap-on Impression Kit | WP™



		RH	GH
IR5141	IRIS™ WP Snap-on Impression Kit	4	1
IR5142	IRIS™ WP Snap-on Impression Kit	4	2
IR5143	IRIS™ WP Snap-on Impression Kit	4	3
IR5144	IRIS™ WP Snap-on Impression Kit	4	4
IR5262	IRIS™ WP Snap-on Impression	6	2
IR5264	IRIS™ WP Snap-on Impression	6	4

IRIS™

The IRIS kit is designed to allow an easy to use set procedure for bridge restoration. Based on the Snap-on impression at abutment level and accurate burn out sleeves it gives the technician the best option to achieve an esthetic and passive restoration.

The IRIS kit aims to ensure that both the surgeon and the technician have every item to ensure that the procedure is easy, free flowing and yields the best results.

Iris™ restoration kit includes:

Abutment | Snap-on cap | Anti-rotation burnout sleeve (red)

Free-rotation burnout sleeve (White)

Patient comfort cap | Abutment level replica



Iris™ Kit | Touareg S/OS™



		RH	GH
IR4041	IRIS™, RS Kit	4	1
IR4042	IRIS™, RS Kit	4	2
IR4043	IRIS™, RS Kit	4	3
IR4044	IRIS™, RS Kit	4	4
IR4061	IRIS™, RS Kit	6	1
IR4062	IRIS™, RS Kit	6	2
IR4063	IRIS™, RS Kit	6	3
IR4064	IRIS™, RS Kit	6	4
IR4081	IRIS™, RS Kit	8	1
IR4082	IRIS™, RS Kit	8	2
IR4083	IRIS™, RS Kit	8	3
IR4084	IRIS™, RS Kit	8	4

Iris™ Kit | UNP™ CloseFit™



		RH	GH
IR6041	IRIS™ UNP CloseFit™ Kit	4	1
IR6042	IRIS™ UNP CloseFit™ Kit	4	2
IR6043	IRIS™ UNP CloseFit™ Kit	4	3
IR6044	IRIS™ UNP CloseFit™ Kit	4	4
IR6061	IRIS™ UNP CloseFit™ Kit	6	1
IR6062	IRIS™ UNP CloseFit™ Kit	6	2

		RH	GH
IR6063	IRIS™ UNP CloseFit™ Kit	6	3
IR6064	IRIS™ UNP CloseFit™ Kit	6	4
IR6081	IRIS™ UNP CloseFit™ Kit	8	1
IR6082	IRIS™ UNP CloseFit™ Kit	8	2

Iris™ Kit | NP™ CloseFit™



		RH	GH
IR2041	IRIS™ NP CloseFit™ Kit	4	1
IR2042	IRIS™ NP CloseFit™ Kit	4	2
IR2043	IRIS™ NP CloseFit™ Kit	4	3
IR2044	IRIS™ NP CloseFit™ Kit	4	4
IR2061	IRIS™ NP CloseFit™ Kit	6	1
IR2062	IRIS™ NP CloseFit™ Kit	6	2
IR2063	IRIS™ NP CloseFit™ Kit	6	3
IR2064	IRIS™ NP CloseFit™ Kit	6	4
IR2081	IRIS™ NP CloseFit™ Kit	8	1
IR2082	IRIS™ NP CloseFit™ Kit	8	2

Iris™ Kit | RP™ CloseFit™



		RH	GH
IR3041	IRIS™ RP CloseFit™ Kit	4	1
IR3042	IRIS™ RP CloseFit™ Kit	4	2
IR3043	IRIS™ RP CloseFit™ Kit	4	3
IR3044	IRIS™ RP CloseFit™ Kit	4	4
IR3061	IRIS™ RP CloseFit™ Kit	6	1
IR3062	IRIS™ RP CloseFit™ Kit	6	2
IR3063	IRIS™ RP CloseFit™ Kit	6	3
IR3064	IRIS™ RP CloseFit™ Kit	6	4
IR3081	IRIS™ RP CloseFit™ Kit	8	1
IR3082	IRIS™ RP CloseFit™ Kit	8	2
IR3083	IRIS™ RP CloseFit™ Kit	8	3
IR3084	IRIS™ RP CloseFit™ Kit	8	4

Iris™ Kit | WP™ CloseFit™

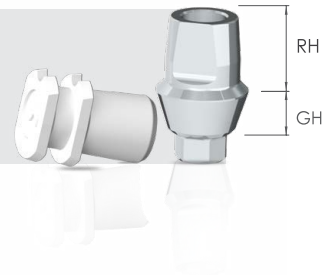


		RH	GH
IR5041	IRIS™ WP CloseFit™ Kit	4	1
IR5042	IRIS™ WP CloseFit™ Kit	4	2
IR5043	IRIS™ WP CloseFit™ Kit	4	3
IR5044	IRIS™ WP CloseFit™ Kit	4	4
IR5061	IRIS™ WP CloseFit™ Kit	6	1
IR5062	IRIS™ WP CloseFit™ Kit	6	2
IR5063	IRIS™ WP CloseFit™ Kit	6	3
IR5064	IRIS™ WP CloseFit™ Kit	6	4

| Single item range

Understanding that set procedures are not for everyone and in an effort to allow for full flexibility for Adin users, items are also available in single form.

Snap-on impression pack includes:
Abutment | Snap-on impression cap



Touareg S/OS™



		RH	GH
IR0441	IRIS™ RS Abutment	4	1
IR0442	IRIS™ RS Abutment	4	2
IR0443	IRIS™ RS Abutment	4	3
IR0444	IRIS™ RS Abutment	4	4
IR0461	IRIS™ RS Abutment	6	1
IR0462	IRIS™ RS Abutment	6	2
IR0463	IRIS™ RS Abutment	6	3
IR0464	IRIS™ RS Abutment	6	4
IR0481	IRIS™ RS Abutment	8	1
IR0482	IRIS™ RS Abutment	8	2
IR0483	IRIS™ RS Abutment	8	3
IR0484	IRIS™ RS Abutment	8	4

UNP™ CloseFit™ | Includes the abutment and Snap-on impression cap



		RH	GH
IR0641	IRIS™ UNP Abutment	4	1
IR0642	IRIS™ UNP Abutment	4	2
IR0643	IRIS™ UNP Abutment	4	3
IR0644	IRIS™ UNP Abutment	4	4
IR0661	IRIS™ UNP Abutment	6	1
IR0662	IRIS™ UNP Abutment	6	2
IR0663	IRIS™ UNP Abutment	6	3
IR0664	IRIS™ UNP Abutment	6	4
IR0681	IRIS™ UNP Abutment	8	1
IR0682	IRIS™ UNP Abutment	8	2

NP™ CloseFit™ | Includes the abutment and Snap-on impression cap



		RH	GH
IR0241	IRIS™ NP Abutment	4	1
IR0242	IRIS™ NP Abutment	4	2
IR0243	IRIS™ NP Abutment	4	3
IR0244	IRIS™ NP Abutment	4	4
IR0261	IRIS™ NP Abutment	6	1
IR0262	IRIS™ NP Abutment	6	2
IR0263	IRIS™ NP Abutment	6	3
IR0264	IRIS™ NP Abutment	6	4
IR0281	IRIS™ NP Abutment	8	1
IR0282	IRIS™ NP Abutment	8	2

RP™ CloseFit™ | Includes the abutment and Snap-on impression cap



		RH	GH
IR0341	IRIS™ RP Abutment	4	1
IR0342	IRIS™ RP Abutment	4	2
IR0343	IRIS™ RP Abutment	4	3
IR0344	IRIS™ RP Abutment	4	4
IR0361	IRIS™ RP Abutment	6	1
IR0362	IRIS™ RP Abutment	6	2
IR0363	IRIS™ RP Abutment	6	3
IR0364	IRIS™ RP Abutment	6	4
IR0381	IRIS™ RP Abutment	8	1
IR0382	IRIS™ RP Abutment	8	2
IR0383	IRIS™ RP Abutment	8	3
IR0384	IRIS™ RP Abutment	8	4

WP™ CloseFit™ | Includes the abutment and Snap-on impression cap



		RH	GH
IR0541	IRIS™ WP Abutment	4	1
IR0542	IRIS™ WP Abutment	4	2
IR0543	IRIS™ WP Abutment	4	3
IR0544	IRIS™ WP Abutment	4	4
IR0561	IRIS™ WP Abutment	6	1
IR0562	IRIS™ WP Abutment	6	2
IR0563	IRIS™ WP Abutment	6	3
IR0564	IRIS™ WP Abutment	6	4

Implant analogs



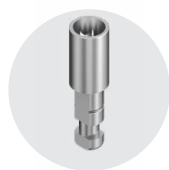
RS5737
Touareg S/OS™



UNP0007
UNP™ CloseFit™



NP0007
NP™ CloseFit™



RP0007
RP™ CloseFit™



WP0007
WP™ CloseFit™

Abutment replica



		RH
IR0404	IRIS™, Abutment Replica	4
IR0406	IRIS™, Abutment Replica	6
IR0408	IRIS™, Abutment Replica	8

Comfort cap



		RH
IR0180	IRIS™, PEEK Comfort Cap	4
IR0181	IRIS™, PEEK Comfort Cap	6
IR0089	IRIS™, PEEK Comfort Cap	8

Burnout sleeves



IR0182	IRIS™, Burnout anti rotation cap red
IR0185	IRIS™, Burnout anti rotation cap red (4 pack)
IR0183	IRIS™, Burnout cap white
IR0186	IRIS™, Burnout cap white (4 pack)



Snap-on impression cap



IR0179	IRIS™, Impression coping
IR0184	IRIS™, Snap-on Impression coping (4 pack)



About Adin

Every business starts with a vision.

Ours is simple: We want to create the best possible dental implant solutions that offer uncompromising quality at an affordable price. It's our people that help our business thrive and grow. That's why we place so much importance on building strong personal relationships that enable us to meet our doctors and distributors' needs. Understanding that their success is our success, we're focused on providing professional, high quality and affordable solutions and exceptional service that help them grow.

