

GripTM
durable solution

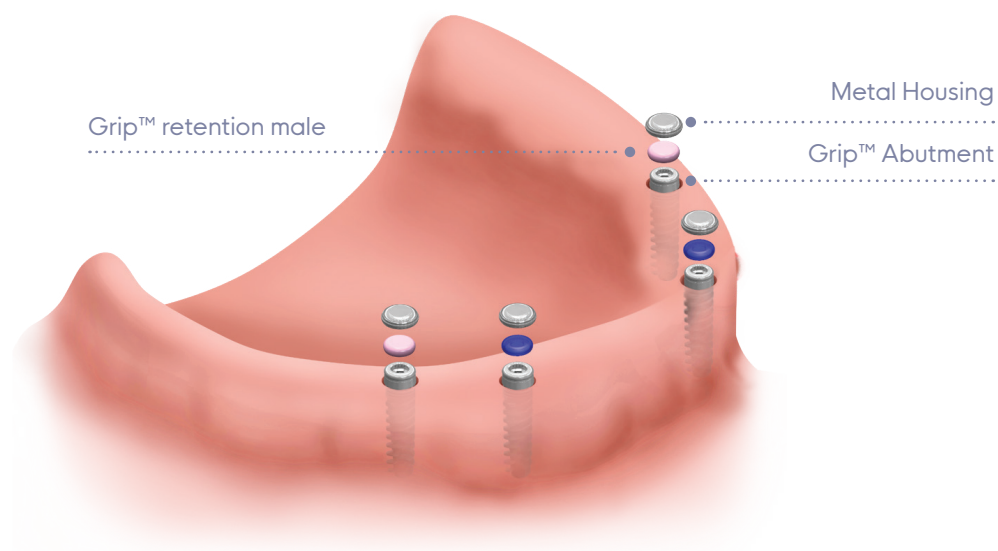


Adin presents the new Grip™ overdenture attachment as an addition to our wide variety of prosthetic solutions.

Implant supported overdentures are among the most practical prosthetic solutions for patients who cannot utilize fixed restorations, or as an interim solution for patients who are waiting for the osteointegration process of their newly placed implants.

The Grip™ attachment system is a versatile solution, designed to ensure maximum denture retention and stability both for maxillary and mandibular dentures. The variety of retentive caps allow dentists to choose the required retention level needed for each individual case and can easily be replaced, when needed.

The Grip™ attachment system is available for Internal Hex & Conical connection platforms (excluding UNP), in a range of gingival heights, to enable a reliable, long lasting and cost-effective solution for your patients.

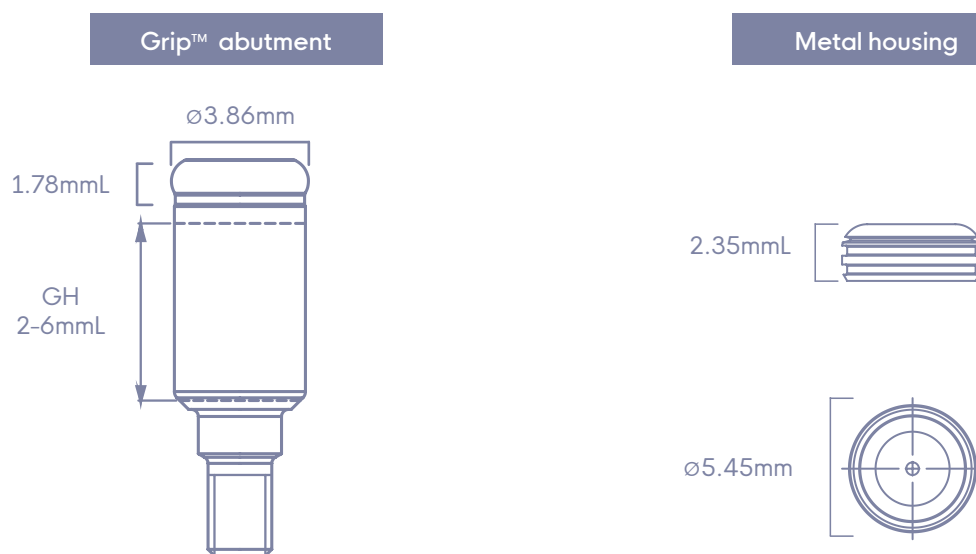


Benefits

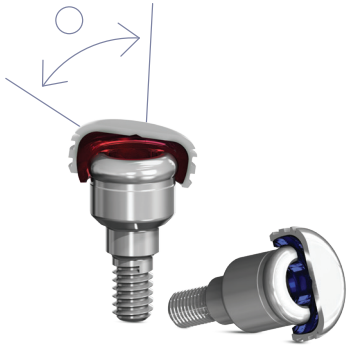
- The low profile of the Grip™ attachments are ideal for vertical space limitations.
- The flexibility of the caps prevents overloading of implants, lowering the risk of damaging the implants.
- Grip™ attachments' angle compensation design to enable use in non-parallel implants up to 40°, making it a perfect and flexible solution.
- Variety of retentions in different hardness levels to fit any clinical need.
- Quick & easy handling of the denture.

Selection

Based on the results of the patient's pre-surgical assessment, the dentist should select and order the appropriate Grip™ abutment, based on the type of implant, diameter, and tissue height (GH).

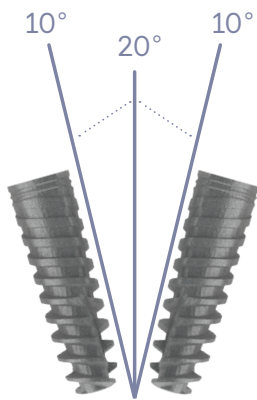


Retention

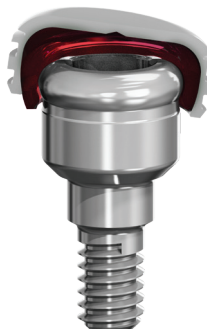
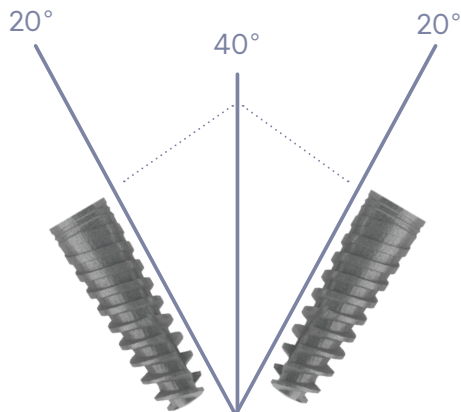


The **Grip™** implant attachment system was designed with customizable levels of retention:

Dual retention, pivoting action provides resiliency to maximize stability and longevity



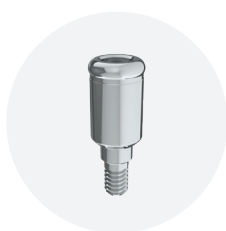
Extended range male's pivoting action engineered to allow insertion with up to 40° total divergence



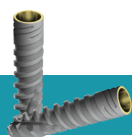


Touareg™ | Internal Hex

One connection



Grip RS Abutment 1mm	RS3037
Grip RS Abutment 2mm	RS3032
Grip RS Abutment 3mm	RS3033
Grip RS Abutment 4mm	RS3034
Grip RS Abutment 5mm	RS3035
Grip RS Abutment 6mm	RS3036

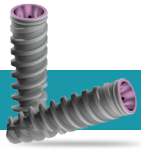


NP™ | Conical Connection

Narrow platform



Grip NP Abutment 1mm	NP0051
Grip NP Abutment 2mm	NP0052
Grip NP Abutment 3mm	NP0053
Grip NP Abutment 4mm	NP0054
Grip NP Abutment 5mm	NP0055
Grip NP Abutment 6mm	NP0056

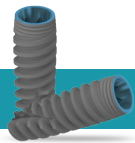


RP™ | Conical Connection

Regular platform



Grip RP Abutment 1mm	RP0038
Grip RP Abutment 2mm	RP0057
Grip RP Abutment 3mm	RP0058
Grip RP Abutment 4mm	RP0059
Grip RP Abutment 5mm	RP0060
Grip RP Abutment 6mm	RP0061



WP™ | Conical Connection

Wide platform



Grip WP Abutment 1mm	WP0063
Grip WP Abutment 2mm	WP0057
Grip WP Abutment 3mm	WP0058
Grip WP Abutment 4mm	WP0059
Grip WP Abutment 5mm	WP0060
Grip WP Abutment 6mm	WP0061



Grip™ components

Metal housing 

Grip™ retention 

Grip™ extended range retention 

Grip™ abutment retention 

Grip™ for TMA  TM0100


Grip™ for Bar, M2 thread  RS0101

Grip™ system components For Impression and fabrication process

Impression coping  RS6414

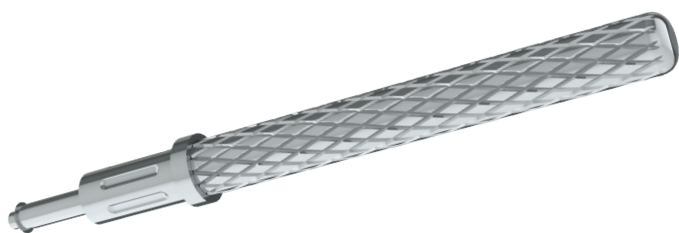
Lab grip retention  RS6416

Block out spacer  RS6424

Replica  RS2508

Grip™ core tool

Designed for inserting and removing the Grip™ retention males from the metal housing



Grip core tool

RS6200

RS Internal Hex connection



1.27 Hex hand driver-medium

RS6094



1.27 Hex torque driver-long

RS6082



1.27 Hex driver for handpiece - long

RS9035



1.27 Hex hand driver-short

RS6095



1.27 Hex torque driver-short

RS6080



1.27 Hex driver for handpiece - short

RS9030

CloseFit™ Connical Hex connection all platforms



Star Hand Driver Long

RP0004



Star Torque Driver 25.4mm

RP0005



Star Handpiece Drive 30mm

RP0019



Star Hand Driver Short

RP0064



Star Torque Driver 20.4mm

RP0065



Star Handpiece Driver 25mm

RP0018



*For Angled TMA/TMA prosthetic screw



Sales Pack

	Metal housing 4 pack	RS6413
---	-------------------------	--------

			extra light	Grip Retention 4 pack	RS6417
			light		RS6418
			regular		RS6419

			zero	Grip Extended Range Retention 4 pack	RS6420
			extra light		RS6421
			light		RS6422
			regular		RS6423

	Grip Impression coping 4 pack	RS6414
	Grip Processing 4 pack	RS6415
	Grip Processing 20 pack	RS6416

	Grip Replica 4 pack	RS2508
	Grip Block out spacer 4 pack	RS6424

Grip processing set		housing		RS6426
		processing		
		extra light		
		light		
		regular		
		block out spacer		

Grip Extended Range processing set		housing		RS6427
		processing		
		zero		
		extra light		
		light		
		regular		
		block out spacer		

Grip processing set		housing		RS6428
		processing		
		extra light		
		light		
		block out spacer		

About Adin

Every business starts with a vision.

Ours is simple: We want to create the best possible dental implant solutions that offer uncompromising quality at an affordable price. It's our people that help our business thrive and grow. That's why we place so much importance on building strong personal relationships that enable us to meet our doctors and distributors' needs. Understanding that their success is our success, we're focused on providing professional, high quality and affordable solutions and exceptional service that help them grow.

